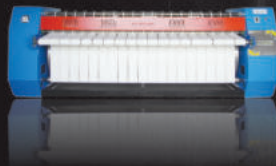




N A G A R J U N
INTERNATIONAL TRADING COMPANY

We Grow Together...

18
YEARS

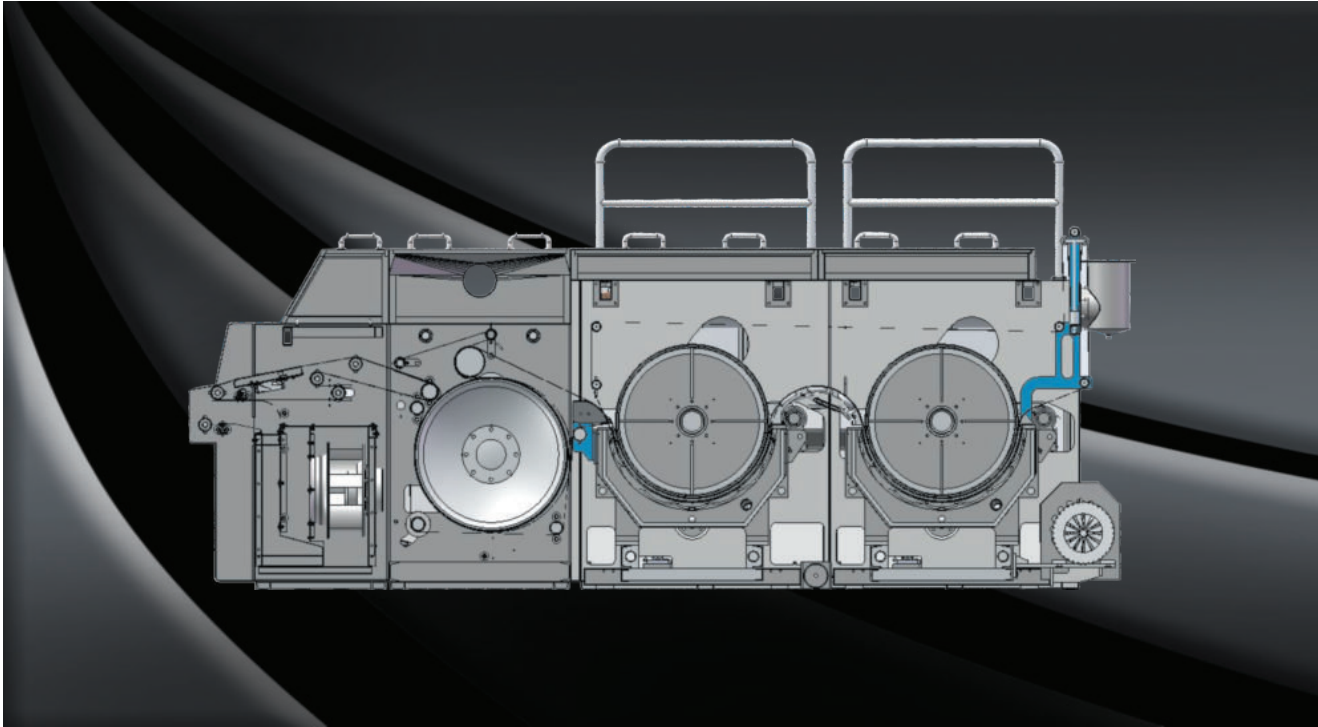


AN ISO 9001 : 2015 CERTIFIED COMPANY

2023

INDUSTRIAL WASHING, FINISHING EQUIPMENTS & POWER LAUNDRY MACHINERIES

Chest Work Ironer | Moisture and Wrinkle Free | Heavy Duty



Our chest work ironer is a powerful and efficient machine that can iron your fabrics at a high speed and quality under low pressure (20-50m/min). It has the following features:

Air Exhaust: It has an air exhaust system that protects the environment from the heat & steam generated by the ironing process.

Synchronized Speed: It ensures that each roller has the same speed and works in harmony with the folder and stacker to achieve a smooth and consistent ironing result.

Data Recording: It can record customer information and data for easy management and tracking of the ironing performance.

Adaptive Balance Mechanism: It has a sophisticated mechanism that combines the roller, chest, bridge, support cylinder, connecting rod and balance shaft to form a balanced pressure distribution on the drum and chest surface.

Speed Adjustment: It has a speed pulley that directly sets and adjusts the speed difference between the drums to ensure high ironing quality.

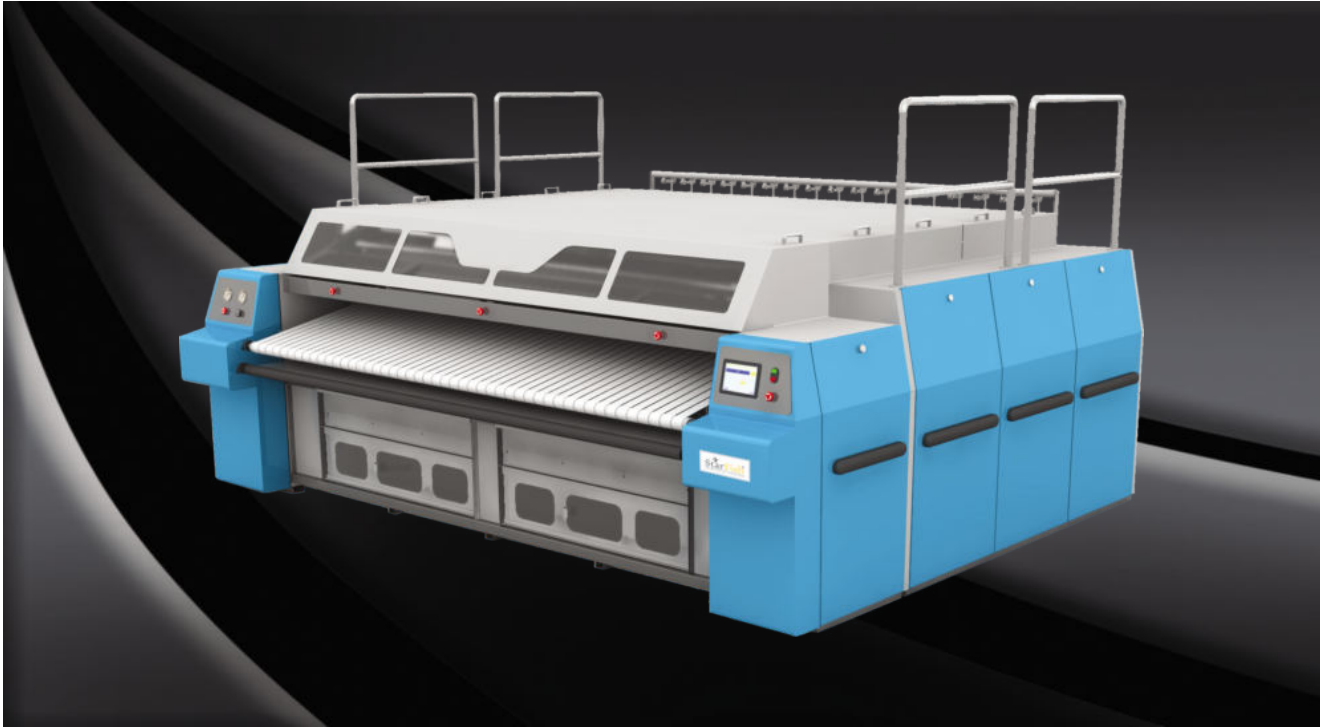
GENERAL

Motor Power in kw	5.1	9.1	13.1	10.3	9.5	28.7
Blower Motor	1.5	3	4.5	2.2	4.4	6.6
Heating Type	Steam					
Consumption Kg / Hour	300	400	600	400	550	700
Foundation	Not Required					
Weight in Kgs	4150	7750	10500	5500	10500	16000

TECHNICAL SPECIFICATION

Model	SCWS8 3300	SCWS28 3300	SCWS38 3300	SCWSP13 3300	SCWSP213 3300	SCWSP313 3300
No of Rollers	1	2	3	1	2	3
Roller Length in mm	3300	3300	3300	3300	3300	3300
Roller Dia in mm	800	800	800	1300	1300	1300
Speed of Ironing m/min	5-20	5-35	5-50	5-30	5-45	5-55
Steam Inlet in mm	37.5	37.5	37.5	37.5	37.5	37.5
Pressure of Stem Mpa	0.4-0.6	0.4-0.7	0.4-0.8	0.4-0.9	0.4-0.10	0.4-0.11
Length in mm		4750			5000	
Width	2120	3530	4920	2370	3850	5450
Height in mm		1580			1810	

Chest Work Ironer | Moisture and Wrinkle Free | Heavy Duty



Our chest work ironer is a state-of-the-art machine that can iron your fabrics with high efficiency and quality. It has the following features:

Japanese Springs and UK Padding: It uses high-quality springs and padding that have good friction and air permeability. It also allows you to adjust the chest pressure to suit different fabrics and ensure the ironing quality.

Built-in Dehumidification System: It has a smart system that can set and distribute the temperature and humidity for each drum according to the fabric type and condition. It also ensures that the water vapor is taken out to achieve a good ironing quality and save energy.

Unique Multi Heat Chambers: It has a unique design that uses both sides thermal cycle to heat the chest surface. It can use steam, thermal oil or gas as the heat source, depending on your preference. The chest surface temperature can reach up to 200°C when using gas or thermal oil, which enables a smooth ironing and fast speed that reduces energy consumption by 25-35% and improves ironing speed by 30%. With our chest work ironer, you can enjoy a moisture and wrinkle free ironing experience with a heavy duty performance.

CONSTRUCTION

Chest	Stainless Steel 304 Grade	Motor Brand	Imported
Main Roller	Stainless Steel 304 Grade	Blower Motor	Imported
Supporting Rollers	Stainless Steel 304 Grade	VFD	LS
Side Panel	Mild Steel	Gear Box	Italy Bonfiglioli
Side Cover	Mild Steel	Steam trap valve	SPIRAX SARCO UK
Base Frame	Mild Steel Channel	Volt	415 / 3Ø
Doors	Mild Steel	Drying speed Rpm	Adjustable
Ironing Belt Adjustment	Screw Rod	Control panel	PCB
Shaft Gland	Housing With Shaft, Bearing and Drive System	Front Panel	Feather Touch
Nuts, Bolts And Connectors	Mild Steel	Manual Operation	Available
Control Box	Mild Steel with Lock	Ironing Belt	Nomex
Cutting	CNC		
Bending	CNC		
Welding	Laser MIG/TIG		

AESTHETIC

Overall Finish	Powder Coated	Finger Guard	Limit Switch
Logo	Starfish Engraving with LED Lights	Emergency switch	Yes

PERFORMANCE

Motor Brand	Imported
Blower Motor	Imported
VFD	LS
Gear Box	Italy Bonfiglioli
Steam trap valve	SPIRAX SARCO UK
Volt	415 / 3Ø
Drying speed Rpm	Adjustable
Control panel	PCB
Front Panel	Feather Touch
Manual Operation	Available
Ironing Belt	Nomex

SAFETY

Finger Guard	Limit Switch
Emergency switch	Yes



Head Office :

3/869-A, Ground Floor, Moolakadai,
Nochipalayam Pirivu, Palladam Main Road,
Veerapandi (Post), TIRUPUR - 641605,
TAMILNADU, INDIA
Ph: +91-421- 4333009, 4330009, 4333678

Corporate Office :

Ground Floor, #13, K.V.R. Arcade, 2nd Main Road,
3rd Block, Behind Gokuldas Images,
Goraguntepalya, BENGALURU - 560022,
KARNATAKA, INDIA
Ph: +91 080 41507898



+91 934 57 57 898



sales@nagarjun-itc.com



www.starfishindia.com